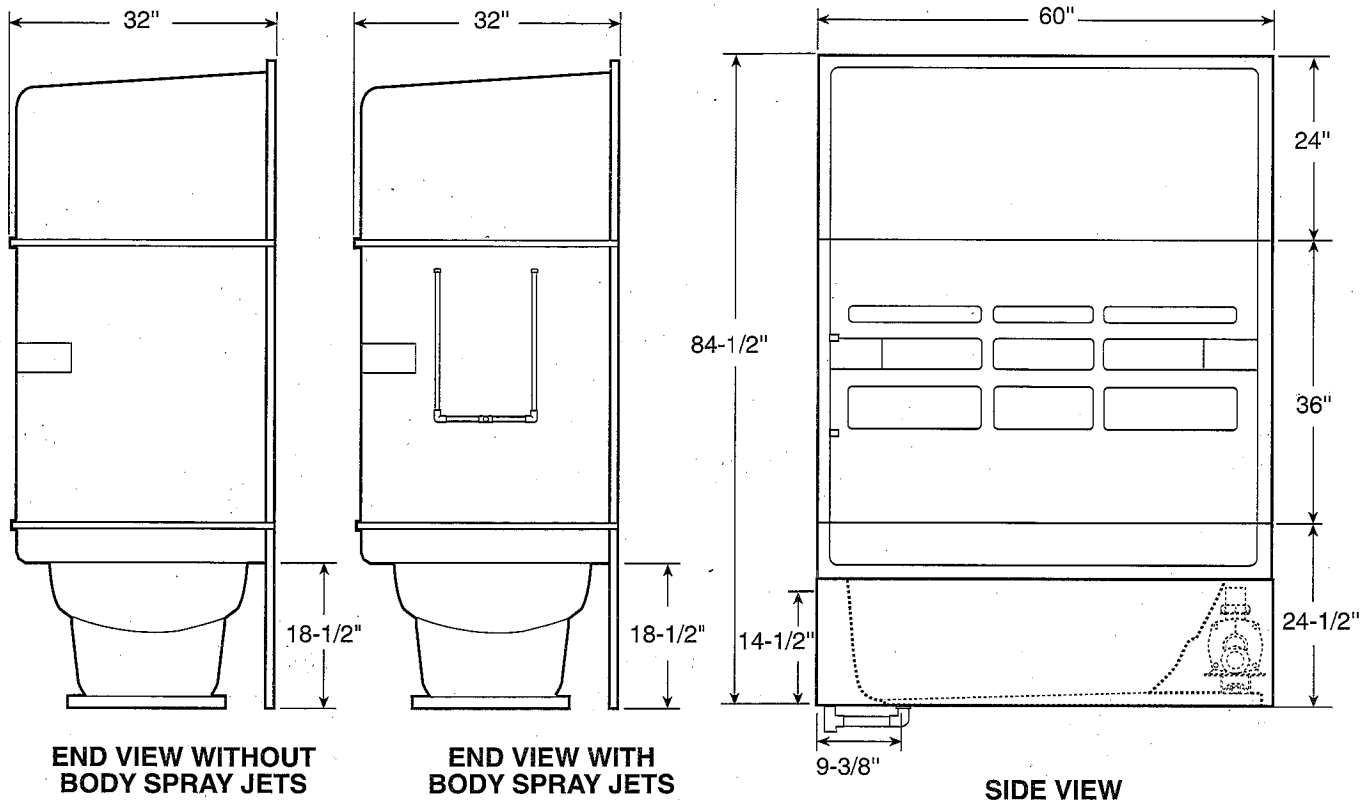




Vantage™ Whirlpool Bath with Surround INSTALLATION INSTRUCTIONS

Each whirlpool bath arrives ready for installation, completely equipped with motor/pump assembly and plumbing and fittings necessary for whirlpool operation. An optional drain/overflow kit is available for installation on the bath.



Standard Features

- Four Fully Adjustable PowerPro® Jets
- Two Lumbar Jets
- Magic Touch® ON/OFF Switch
- Silent Air Induction System
- Integral Skirt

Optional Features

- Trim Kit
- Timer
- Drain/Overflow Kit
- Lamp Package
- Pillow
- Optica 300 Shower Mixer Valve
- SteamPro 120 Steam Generator

Use liquid detergent to maintain bright, smooth surface.

Do not use abrasive household cleaners.

Do not use oil based bath additives.

SPECIFICATIONS

DIMENSIONS	MOTOR/PUMP	TOTAL WEIGHT	OPERATING GALLONAGE	PRODUCT WEIGHT	SHIPPING WEIGHT	ELECTRICAL REQUIREMENTS
60" (1524 mm) L	115 VAC	700 lb	38 U.S. gal	175 lb	248 lb	115 VAC
32" (813 mm) W	3450 RPM/10 AMP	(318 kg)	(144 liters)	(80 kg)	(113 kg)	15 AMP
84-1/2" (2146 mm) H	60 Hz Single Phase					60 Hz Requires dedicated separate circuit

Use installation instructions provided with product.

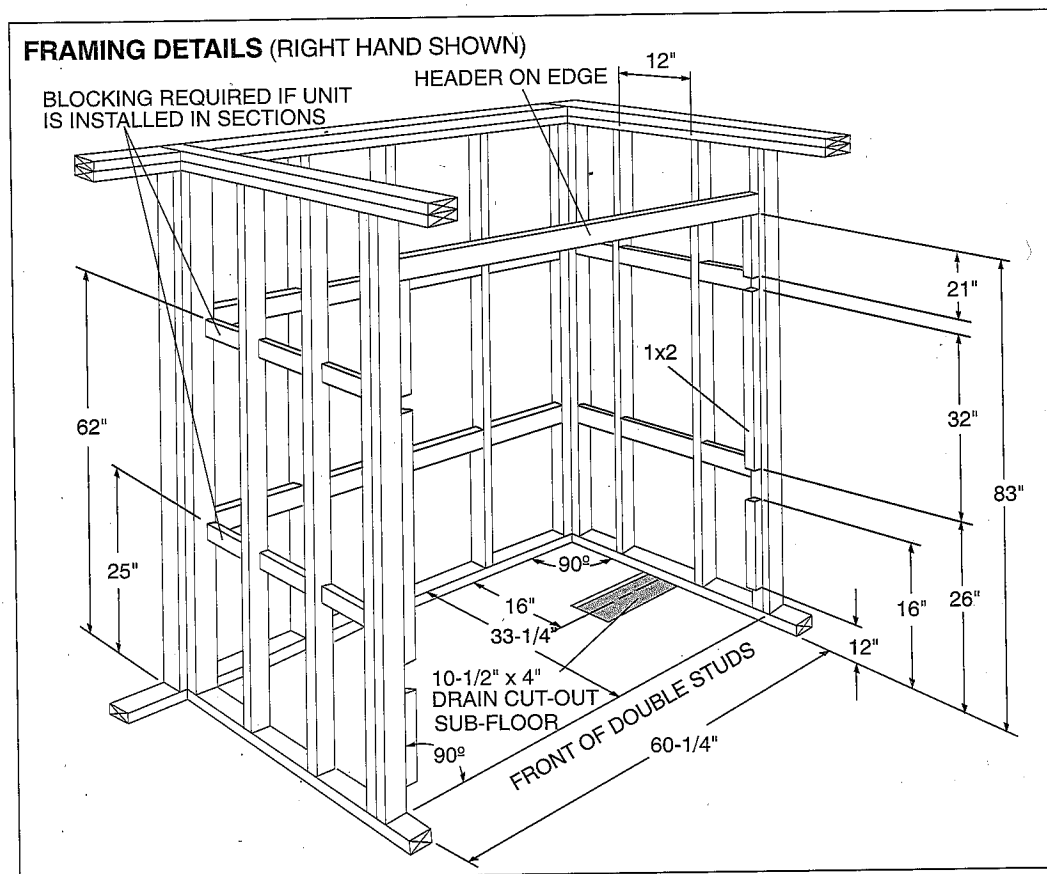
Product specifications are subject to change without notice.

Important: Read complete instructions before beginning installation.

Remove the bath from the carton. Retain the shipping carton until satisfactory inspection of the product has been made. **Do not lift the bath by the plumbing at any time; handle by the shell only.**

Immediately upon receipt, inspect the shell before installing. Should inspection reveal any damage or defect in the finish, do not install the bath. Damage or defect to the finish claimed after the bath is installed is excluded from the warranty. Jacuzzi Whirlpool Bath's responsibility for shipping damage ceases upon delivery of the products in good order to the carrier. Refer any claims for damage to the carrier. For definitions of warranty coverage and limitations, refer to the published warranty information packed with the product.

All bath units are factory tested for proper operation and watertight connections prior to shipping. **Note: Prior to installation, the bath must be filled with water and operated to check for leaks that may have resulted from shipping damage or mishandling.** Jacuzzi Whirlpool Bath is not responsible for any defect that could have been discovered, repaired, or avoided by following this inspection and testing procedure.



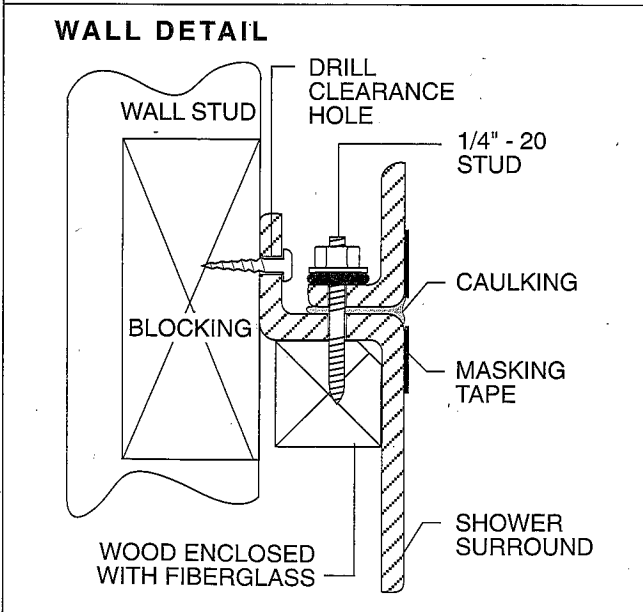
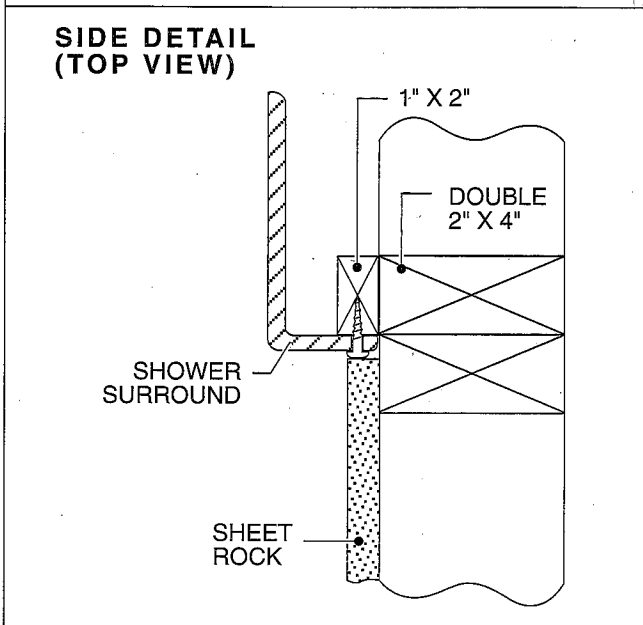
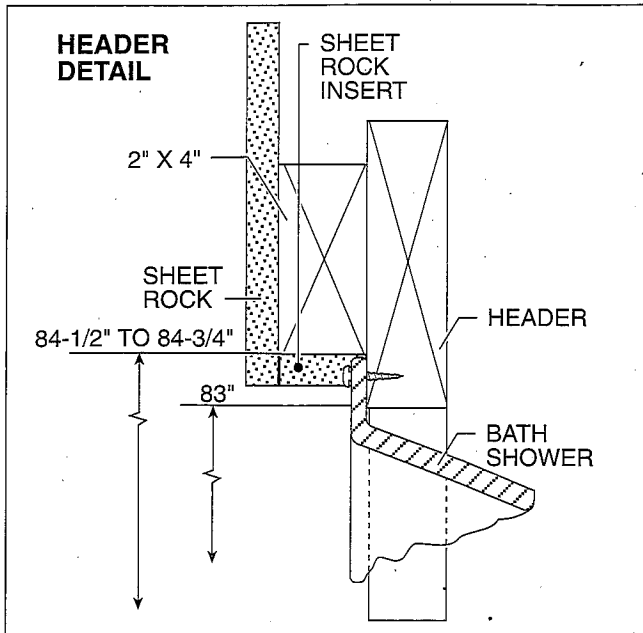
Framing and Support

The optional drain/overflow of the bath extends below the bottom of the bath. Note that this requires a cutout in the floor.

The floor structure beneath the bath must be able to support a total weight of approximately 700 pounds (bath, water and bather) or 52.5 pounds per square foot. If the subfloor is level, no other preparation is necessary. You can proceed to install the bath. If the subfloor is not level, you **MUST** level the entire surface prior to installing the bath. (Use a floor leveling compound.) **Do not level bath with mortar.** Both sides of a joint or splice of subfloor should be level to each other.

The bath unit should be installed after construction of the studwall and rough plumbing is in place. The bath may be installed as a single unit or, if necessary, disassembled and installed in three sections.

It is important that the framed pocket be plumb and square and that the framing members be located as detailed in the framing illustration. If the bath unit is to be installed in an existing bathroom studwall, additional studs must be added to the dimensions shown.



Rough Plumbing

The locations of the valves, fill spout and shower head should be marked and drilled before the bath unit is placed in position. Where access to connections is limited, allow enough flexibility in the supply lines for easier positioning of the valves after the unit is in place.

From stable reference points such as the subfloor and front of the double studs, measure and note the locations of the fill spout, valves and shower head arm.

To avoid obstructions during installation, ensure that water lines, spout pipes and valve plumbing do not project into the studwall pocket.

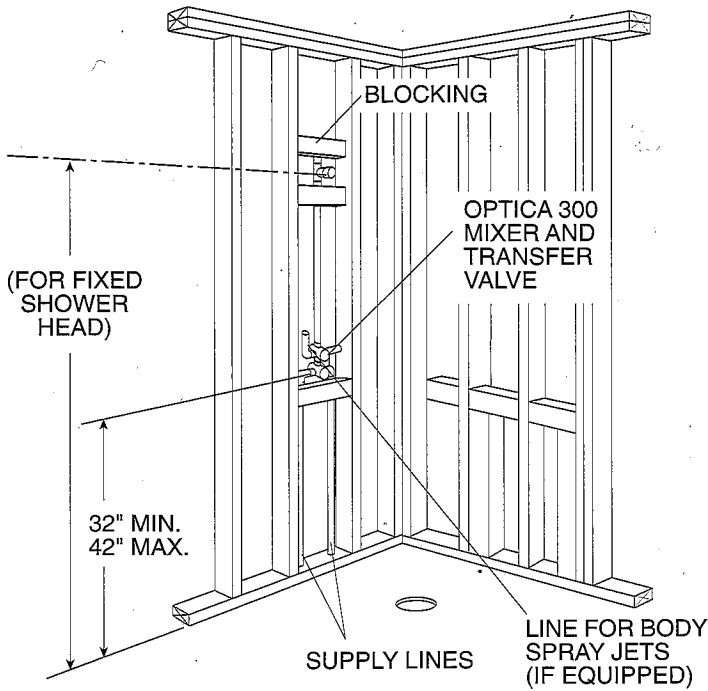
Installation

Slide the bath into the framed opening and secure the front flanged sides to the 1x2 strips and the top flange to the header. The bathtub should be level and supported along the base.

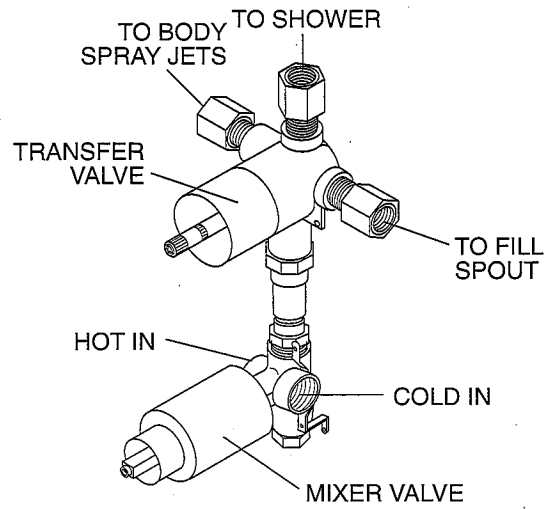
It may be necessary to disassemble the bath to install it. Install the bathtub portion making sure it is level and properly secured to the floor and studwall blocking. Apply a bead of adhesive caulking to the top of the flange surface and place the middle section over the studs of the bath flange. Push down firmly to assure that the middle section is seated and level. Secure the top flange of the middle section to the studwall blocking and the sides to the 1x2 verticals. Repeat the same caulking procedure for the top section and secure it to the header and 1x2 verticals.

If the bath with the surround is installed in one piece without being disassembled, it is necessary to caulk all joints between the bath, middle wall, and top cap. To make caulking the joints easier, place masking tape on each side of the joint as shown in the illustration. Apply a bead of caulking along the joint between the tape. Smooth out the caulking with a tool or finger. Remove tape after caulking has set.

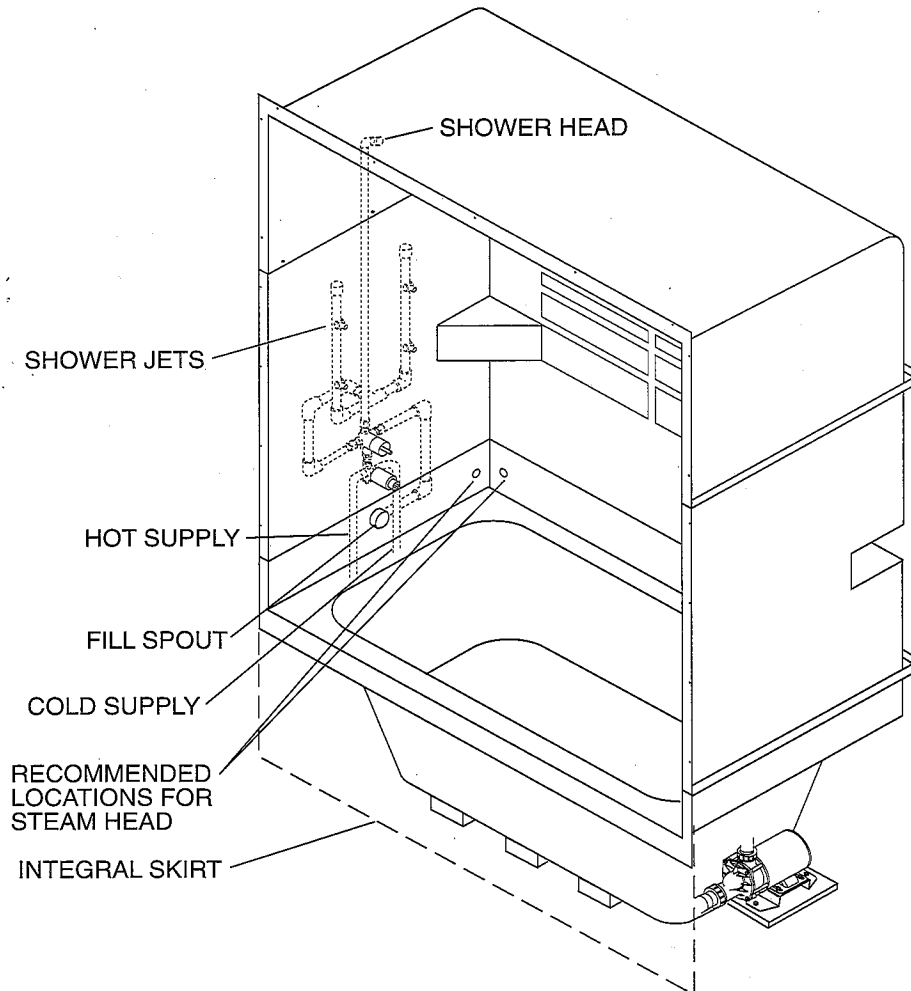
ROUGH-IN PLUMBING DETAILS



OPTICA 300 CONNECTIONS



SUGGESTED PLUMBING LAYOUT (REVERSE FOR RIGHT HAND VERSION)



Service Access

Service access is through the removable panel in the integral skirt. Allow a space of at least 8" away from the bath for skirt removal.

The skirt is designed to accommodate the added height of the tile, linoleum or other floor coverings up to 1-1/4" above the floor, and will be flush with the floor when installed.

When the bath is not installed with the skirt, provide adequate ventilation (minimum 30 square inch opening) for cooling of the motor and sufficient air supply for jets.

Electrical Connections

A separate 115 VAC 15 AMP circuit, which must be protected by a Ground Fault Circuit Interrupter (GFCI), is required. Because these units are manufactured with a safe, convenient Magic Touch whirlpool ON/OFF switch on the bath itself, no remote switch or timer is necessary. Install a 115 VAC, 15 AMP duplex outlet to the studwall underneath the bathtub, at least 4" above the floor. Duplex outlet is not provided.

DANGER: RISK OF ELECTRIC SHOCK. Connect only to a circuit protected by a Ground Fault Circuit Interrupter.

CAUTION: Operating the motor/pump without sufficient water in the bath can cause leaking and permanent damage to the pump. Before power is applied to the installation, make sure the switch is in the OFF position to avoid pump damage.

If installation of an optional timer is desired, refer to wiring instructions provided with the timer. An optional timer is available from Jacuzzi Whirlpool Bath for 115 VAC operation.

Plumbing

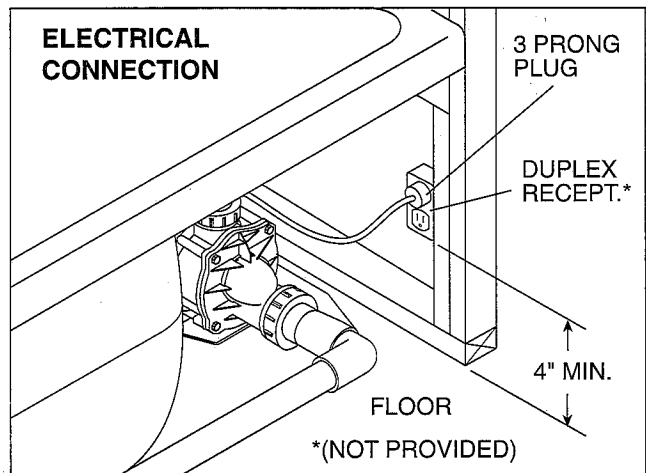
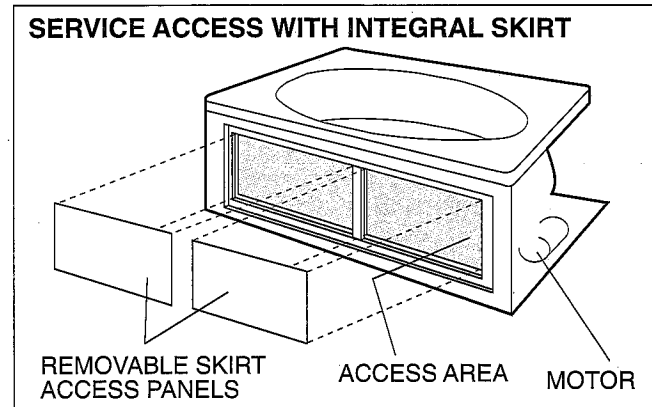
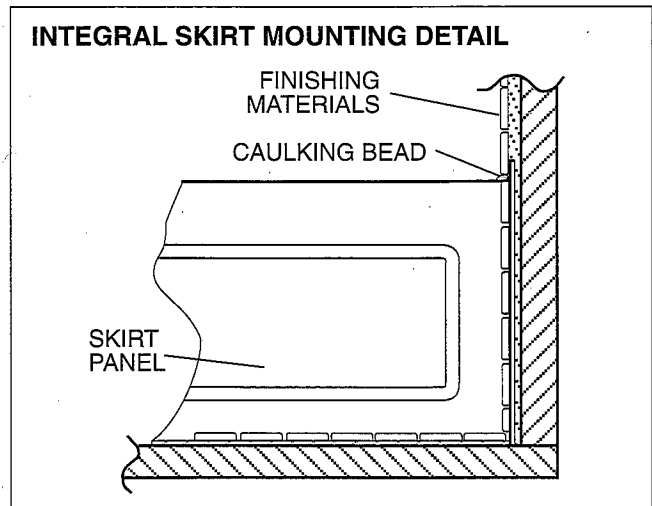
Pump, jets and suction fittings for the whirlpool system are factory plumbed in PVC schedule 40 piping.

All Jacuzzi Whirlpool Bath products are factory tested for proper operation and watertight connections prior to shipping. If leaks are detected, notify your Jacuzzi Whirlpool Bath Dealer, do not install the unit.

Water Supply

Consult local authorities for plumbing code requirements in your area.

IMPORTANT: Proper installation of the fill spout plumbing and compliance with local codes is the responsibility of the installer. Jacuzzi Whirlpool Bath does not warrant connections of water supply fittings and piping, fill systems or drain/overflow systems. Nor is it responsible for damage to the bath which occurs during any installation procedure.



Drain Information

A drain/overflow assembly, purchased separately from the bath, must be installed on the bath, water tested, and connected to the sanitary system of the house. After opening the carton, inspect for damage and verify that the kit is of the proper finish. If a Jacuzzi Whirlpool Bath drain/overflow is being installed, note that the waste flange, strainer, overflow cover and cover screws are packaged in a separate package within the kit to protect the trim finish. Follow the installation instructions provided with the drain/overflow kit. After the drain is fully installed, test for proper drainage. If the unit does not drain properly, rectify this condition before proceeding with the installation. Jacuzzi Whirlpool Bath is not responsible for removal and or reinstallation costs.

NOTE: Watertight installation of the drain is the installer's responsibility. Any occurrence of drain leakage is excluded from the Jacuzzi Whirlpool Bath warranty coverage of this product.

CAUTION: A nonflammable protective barrier must be placed between soldering work and bath unit to avoid possible damage to the bath.

Clean-Up After Installation

To avoid dulling and scratching the surface of the bath, never use abrasive cleaners. A mild liquid detergent and warm water will clean soiled surfaces.

Remove spilled plaster with a wood or plastic edge. Metal tools will scratch the surface. Spots left by plaster or grout can be removed if lightly rubbed with detergent on a damp cloth or sponge.

Paint, tar, or other difficult stains can be removed with paint thinner, turpentine, or isopropyl alcohol (rubbing alcohol).

Minor scratches which do not penetrate the color finish can be removed by lightly sanding with 600-grit wet/dry sandpaper. You can restore the glossy finish to the acrylic surface of the bath with a special compound, Meguiar's #10 Mirror Glaze. If that is not available, use automotive rubbing compound followed by an application of automotive paste wax.

Major scratches and gouges which penetrate the acrylic surface will require refinishing. Ask your Jacuzzi Whirlpool Bath dealer for special instructions.

Operation Summary

For complete instructions, see "Operating Instructions."

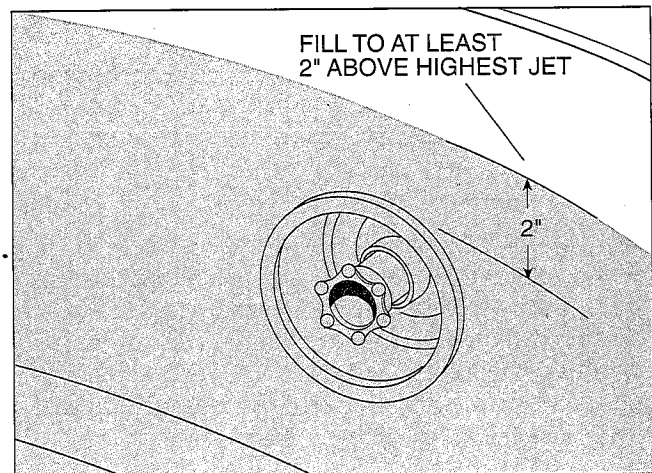
Before using the whirlpool bath, remove all construction residue and foreign materials.

Close the drain and fill the bath until water is at least 2" above the highest jet (see water line indicated on this page). **Do not operate the whirlpool system at any time if the jets are not completely immersed in water.**

Your bath is equipped with the Magic Touch whirlpool ON/OFF switch. Activate the whirlpool system by pushing down on the Magic Touch switch button. To turn off the whirlpool system, push down on the button again. To change the direction of the water flow, swivel the jet nozzle to the desired angle.

Two knobs located on the bath serve as controls for the air induction system. The intensity of the hydromassage whirlpool action is determined by the amount of air inducted into the water. As the amount of air is increased, the amount of whirlpool action will increase.

For maximum air induction, rotate the control knobs fully counterclockwise to the largest circles. For fewer air bubbles, decrease the amount of air induction by rotating the control knob clockwise. When the knobs are turned to the smallest circles, only water is being circulated.



**PRODUCT SPECIFICATIONS ARE SUBJECT TO CHANGE WITHOUT NOTICE.
USE INSTALLATION INSTRUCTIONS SUPPLIED WITH PRODUCT.**

Jacuzzi Whirlpool Bath has obtained applicable code (standards) listings generally available on a national basis for products of this type. It is the responsibility of the installer/owner to determine specific local code compliance prior to installation of the product. Jacuzzi Whirlpool Bath makes no representation or warranty regarding, and will not be responsible for any code compliance.

Jacuzzi Whirlpool Bath National Headquarters
P.O. Drawer J, Walnut Creek, CA 94596 (925) 938-7070
Service Support: Call (800) 288-4002

©1999 Jacuzzi Whirlpool Bath P592000 2/99



Printed on Recycled Paper